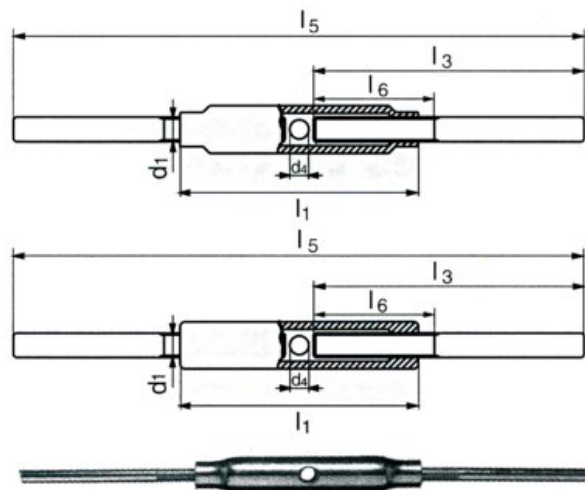


Rigging Screw DIN 1478, galvanized



Product information

Rigging screw for tightening of ropes, cables and the like.

Material: Carbon steel.

Marking: According to standard

Finish: Galvanized body and galvanized stud ends.

Standard: DIN 1478

Part Code	Length mm	Package pcs	d1 mm	d4 mm	l1 mm	l3 mm	l5 mm	l6 mm	ad mm	Weight kg/100pc	Delivery time
492170000140	520-700	1	M24	12	255	260	520-700	150	180	275	10
492168000140	520-680	1	M30	16	255	260	520-680	160	160	394	10

Blueprint

