

Bracket Winch KVV/KWE



Product information



Bracket winch KVV: Bracket winch, galvanised, open construction, sturdy design.

Bracket winch KWE: Bracket winch, stainless steel, open construction, sturdy design.

- Open construction.
- High rope capacity.
- Corrosion resistant.

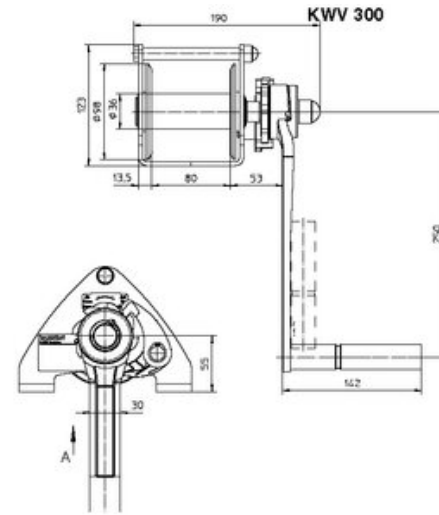
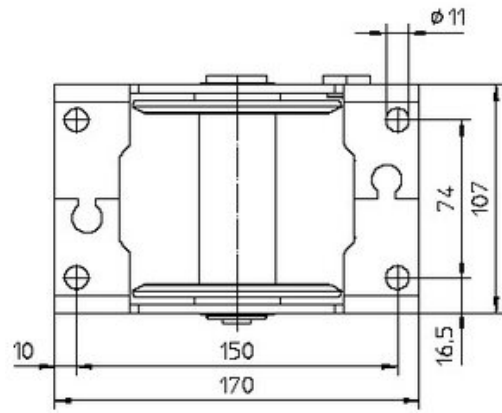
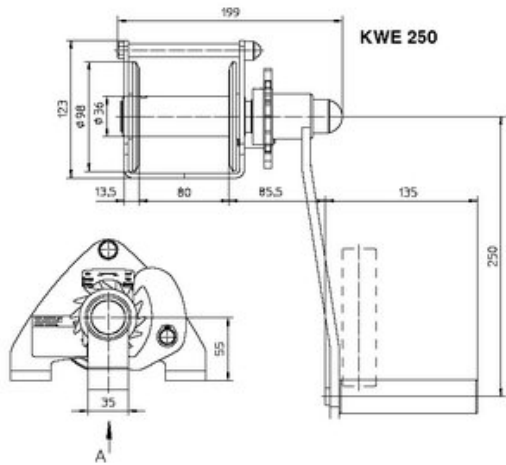
Optional:

- Zinc-plated: type KVV.
- Stainless steel (304): type KWE.
- Detachable crank, rope pay-off function, crank radius adjustable.

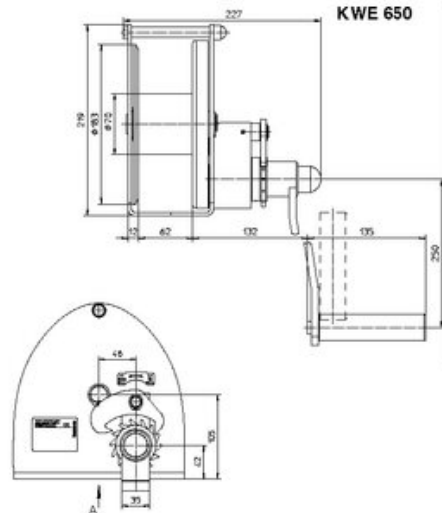
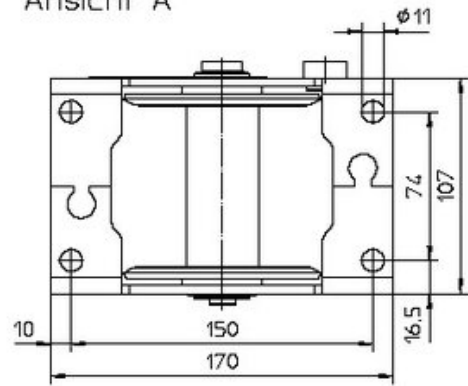
Note: Excl. wire (to be ordered separately).

Part Code	Code	WLL ton	Rope Ø mm	Final rope pos. kg	Crank force N	Lift/crank turn (mm)	WLL Lifting 1st layer (kg)	Rope capacity m	Weight kg	Delivery time
501300030000434	KWE 250	0.25	4	125	220	126	250	22	4	10
501300070000430	KVV 650	0.65	6	330	240	39	650	23	9	10
501300070000434	KWE 650	0.65	7	340	240	39	650	16	9.3	10
501300100000430	KWE 1000	1	8	390	200	16	1,000	28.5	16	10
501300130000430	KVV 1250	1.25	8	490	240	16	1,250	28.5	16	10

Blueprint



Ansicht A



Ansicht A

