

## Rigging Screw DIN 1478

### Product information

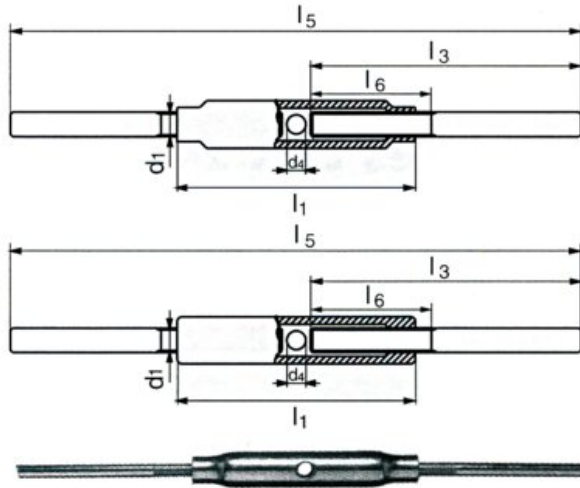
Rigging screw for tightening of ropes, cables and the like.

**Material:** Carbon steel.

**Marking:** According to standard

**Finish:** Galvanized body and black stud ends

**Standard:** DIN 1478



Part Code	Length mm	Package pcs	d1 mm	d4 mm	l1 mm	l3 mm	l5 mm	l6 mm	ad mm	Weight kg/100pc	Delivery time
492132500340	240-325	10	M8	8	110	120	240-325	65	85	18	10
492139000340	300-390	10	M12	10	125	150	300-390	75	90	45	10
492152000340	400-520	10	M16	10	170	200	400-520	100	120	90	10
492170000340	520-700	1	M24	12	255	260	520-700	150	180	275	10
492168000340	520-680	1	M30	16	255	260	520-680	160	160	394	2

# Blueprint

